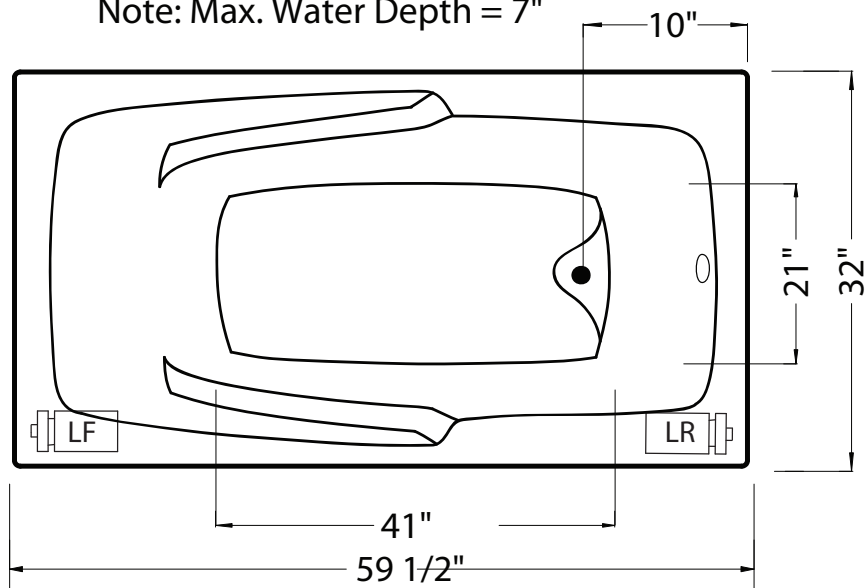


Note: Max. Water Depth = 7"



LF = Left Front Pump Location    RF = Right Front Pump Location

**MODEL:** SK14 MINI W/SKIRT

**SIZE:** 32" x 59.5"

**AVERAGE FILL (GAL):** 30 GALLONS

**ELECTRICAL REQUIREMENT:** 110V 20 AMP CIRCUIT

**WATER JETS (WHIRLPOOL):** 4 ADJUSTABLE, 1 PULSATING

**WATER JETS (THERAPY WP):** 4 ADJUSTABLE, 6 SPINNING MICROJET

**INSULATION:** R-15 SPRAY FOAM (OPTIONAL ON SOAKER)

**INLINE HEATER:** OPTIONAL 110V (N/A ON AIR BATH)

**LIGHTING SYSTEM:** OPTIONAL LED SPA LIGHT

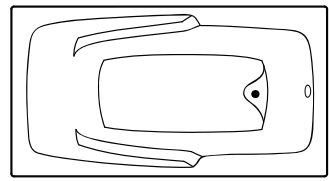
**NOTES:**

- Integrated skirt/tile flange with removable access panel
- Whirlpool and adds 1.5" to overall height
- Inline heater requires additional 20 Amp 110v GFCI circuit
- Deck cutout dimensions should be 2" smaller than tub dimensions
- Controls will be surface mounted near the desired pump location

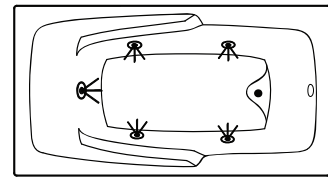
**LEGEND:**



*Soaker*



*Whirlpool*



IZZI BATH  
 19250 N Hwy 27  
 Clermont, FL 34715  
 (800) 214-7440  
 www.izzibath.com